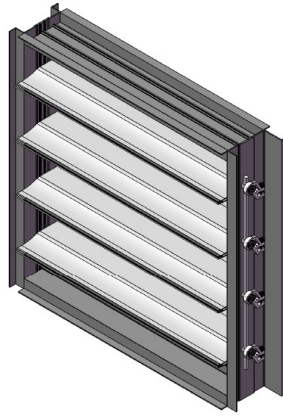


3160
Duct-Mount



3161 Quick 'N' Stall
Duct-Mount



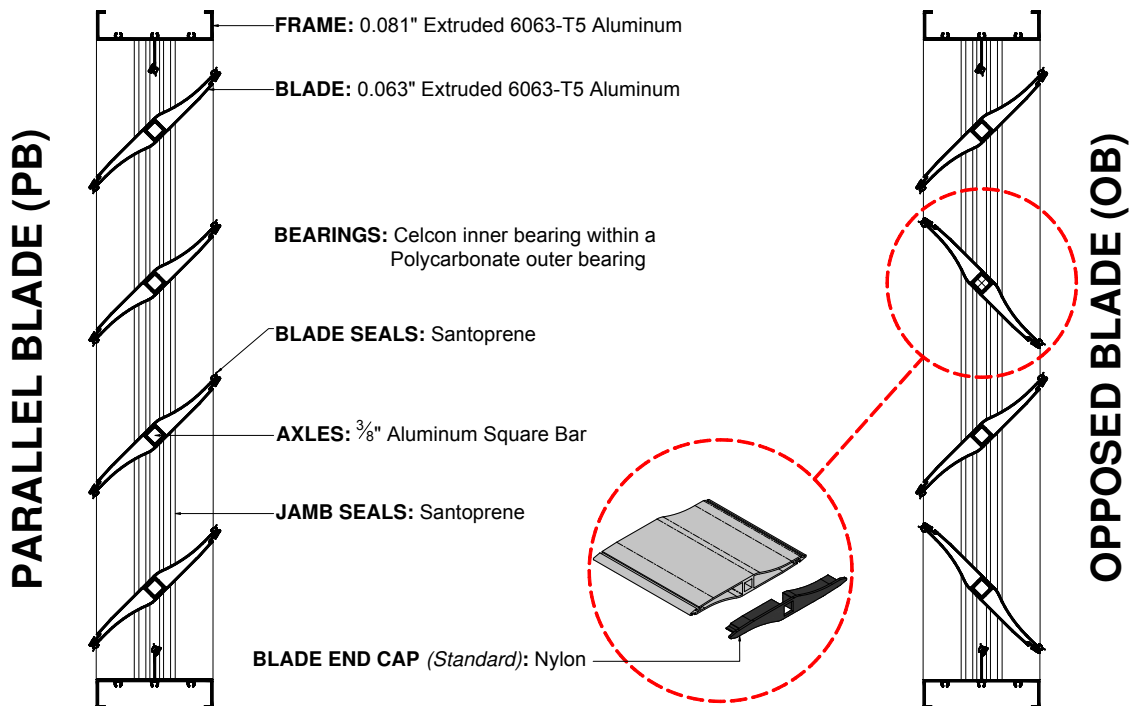
3167
Flanged One Side

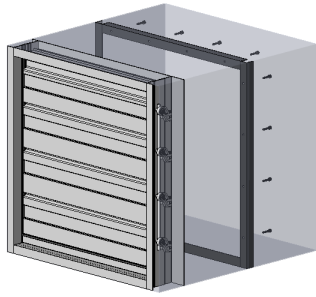
STANDARD CONSTRUCTION

Depth: 4" (101 mm) – 3160/3167
5.25" (133 mm) – 3161
Depth with Blades Open: 6.125" (156 mm)
Minimum Height: 8" (203 mm) - Single Blade
15" (381 mm) - Multiple Blade
Maximum Panel Width: 48" (1219 mm)
Maximum Panel Height: 60" (1524 mm)
Maximum Panel Size: 20 Sq.Ft.
Maximum System Pressure: See chart on page 2
Operating Temperature Range: -40° to +180° F
Standard Finish: Mill
Standard Motor Installation: 6" Side Shaft Direct Drive
Linkage: Concealed in Frame (3160/3161)
Outside of Frame (3167)
Blade End Cap: Nylon

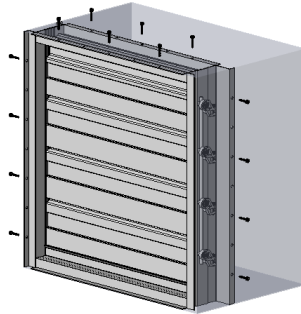
AVAILABLE ACCESSORIES

- Factory Supplied Actuators
- End Switch for signaling peripheral devices
- Jack Shaft
- Hand Quadrants
- Chain Operation for manual operation spring closed
- Silicone Blade and Jamb Seals – Specify 3100SI
- Salt Water Construction (Not available for 3167)
- Clear Anodized Finish (Not available for 3167)
- 4" Blade Construction

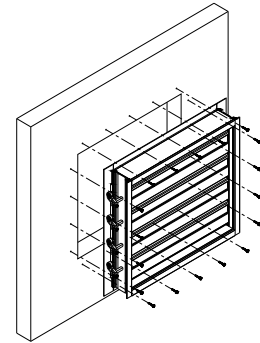




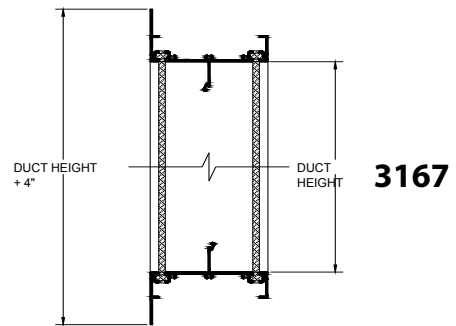
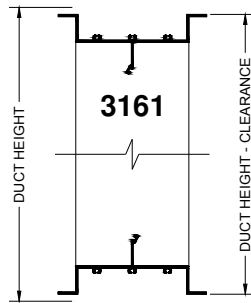
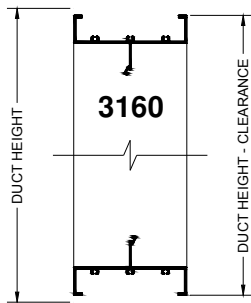
3160 – Duct-Mount



3161 – Duct-Mount

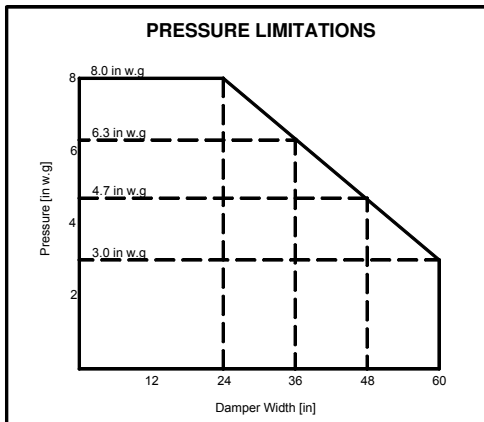


3167 – Flanged One Side



For Duct-Mount Frame specify: 3160 / 3161
For Flanged-to-Duct Frame specify: 3165
For Flange One Side specify: 3167

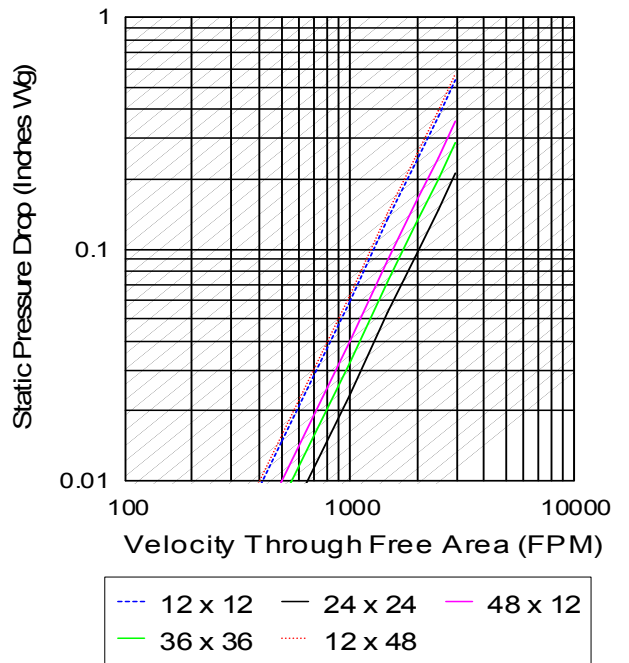
*For Models 3160 and 3161:
Clearance = 1/4" Overall for Single Panel Construction
Clearance = 1/2" Overall for Multiple Panel Construction

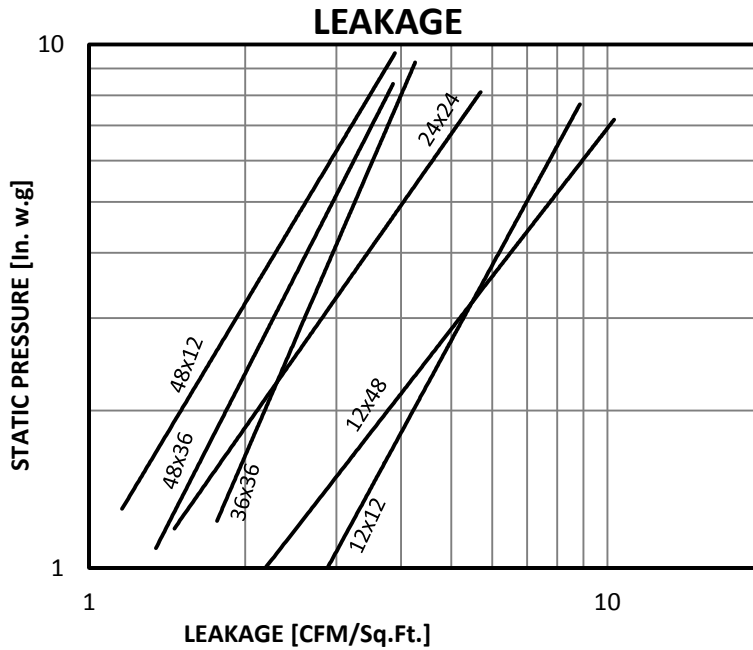


RECOMMENDED SPECIFICATION

Furnish and install control damper models 3160 / 3161 / 3167 as manufactured by Alumavent, Bolton Ontario. Dampers shall be min. 4" (101 mm) deep. Blades shall be 0.063" (1.60 mm) thick, hollow airfoil shape. Frames shall be 0.081" (2.06 mm) thick. Axles shall be 0.375" (9.53 mm) thick, Aluminum square bar. Blade and Jamb seals shall be Santoprene. Linkage is concealed in frame for models 3160 / 3161 and outside of frame for model 3167. Air leakage through a 48"x 36" damper shall not exceed 8 CFM/ ft² (40.6 L/s/m²) against 4" w.g. (1 kPa) static pressure at standard air. Operating temperature range shall be -40° to +180° F.

Pressure Drop





Leakage test was conducted in accordance with AMCA Standard 500-D-98. Holding torque applied was 6 in.-lbs./sq.ft on parallel blade dampers. Air leakage is based on operation between 0°C - 49°C (32°F - 120°F).

3100 SERIES CONTROL DAMPER LEAKAGE RATING			
DAMPER SIZE Width x Height	PRESSURE in w.g (kPa)		
	1" (0.25 kPa)	4" (1.0 kPa)	8" (2.0 kPa)
12" x 12" (305x305 mm)	1A	1	1
24" x 24" (610x610 mm)	1A	1	1
36" x 36" (914x914 mm)	1A	1	1
12" x 48" (305x1219 mm)	1A	1	1
48" x 12" (1219x305 mm)	1A	1	1
48" x 36" (1219x914 mm)	1A	1	1

DEFINITION OF LEAKAGE CLASSIFICATION				
CLASS	LEAKAGE ft ³ /min/ft ² (L/s/m ²)			
	1" (0.25 kPa)	4" (1.0 kPa)	8" (2.0 kPa)	12" (3.0 kPa)
1A	3 (15.2)	N/A	N/A	N/A
1	4 (20.3)	8 (40.6)	11 (55.9)	14 (71.1)
2	10 (50.8)	20 (102)	28 (142)	35 (178)
3	40 (203)	80 (406)	112 (569)	140 (711)